

INSTALLATION INSTRUCTIONS FOR P201 (Rev -01)

⚠ DURING INSTALLATION ENSURE THAT THE MOTOR IS DISCONNECTED FROM THE MAINS SUPPLY

Package contents:

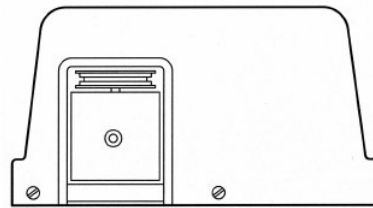
P201 (left or Right hand)

Fixing Pack

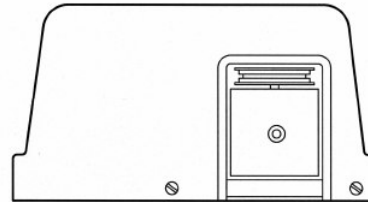
Mains lead

Instruction leaflet

Control panel or timer if ordered
(Instructions for these supplied
separately)



Right Hand

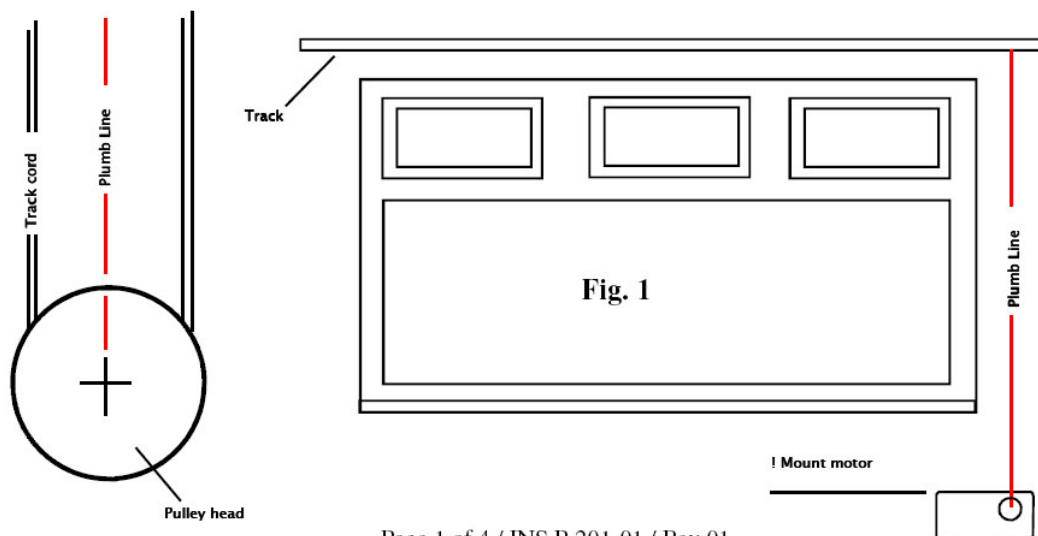


Left Hand

1/ FIXING POSITION

A firmly fixed, good quality and smooth running curtain track should be used with a pre-stretched cord for heavy loads, long runs or bends. The finished installation is only as strong as the track and its fixing. The motor can only be used with plain cord up to 4mm diameter.

It is essential that the motor is positioned on the wall so that the drive pulley is directly on the centre of the cord loop. Fig 1. Use a plumb line for the centre of the track cord exit point to mark the position of the centre of the pulley. Where the track has a continuous cord loop tied off at the master glider, the motor must be placed not less than 120cm away from the track, or as far down as the cord or curtains will allow (Normally the motor is mostly hidden behind the curtain, this is why they are handed) Where the cord is joined by a connector the distance between the cord and the track must be greater than the movement of the master glider (Joined parts of the cord must not be allowed to run through the pulley) Remove the case and holding the unit level in the correct position mark through the four fixing holes onto the wall, ensuring there is sufficient length on the cord to reach the motor pulley.



Page 1 of 4 / INS P-201-01 / Rev 01

2/ ATTACHING THE CORD AND LOAD ADJUSTMENT

When the motor is installed, place the cord loop through the cord guide and around the groove in the pulley tire (it does not have to be pushed into the groove) ensuring that the take up roller is pulled over the cord (see Fig 2) The drive head does not rely on tension to grip the cord, although excessive slack should be taken up at the master glider or cord connector. **DO NOT OVER TENSION THE CORD.**

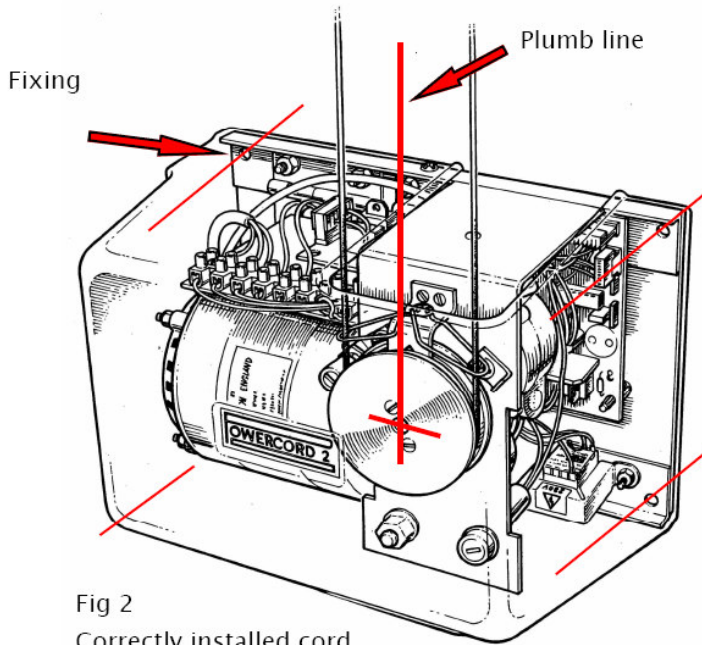


Fig 2
Correctly installed cord

Replace the cover and plug in the control panel. Type 'S' panels connect to the large connector and type 'T' into the smaller connector. Both these connectors are 'keyed' so please take care not to force them in, they only go in one way. The sockets are located on the metal plate at the cord exit aperture.

Refer to the control panel instructions for installation and operation. Do not attempt to connect any other equipment to the sockets 'S' or 'T' if you want to connect your own control systems, please refer to our sales literature for expansion units or contact us to discuss your requirement.

Plug in the mains lead and test the system, if the motor shuts off before the curtains are fully open, refer to Fig 3 to adjust the automatic shut off load.

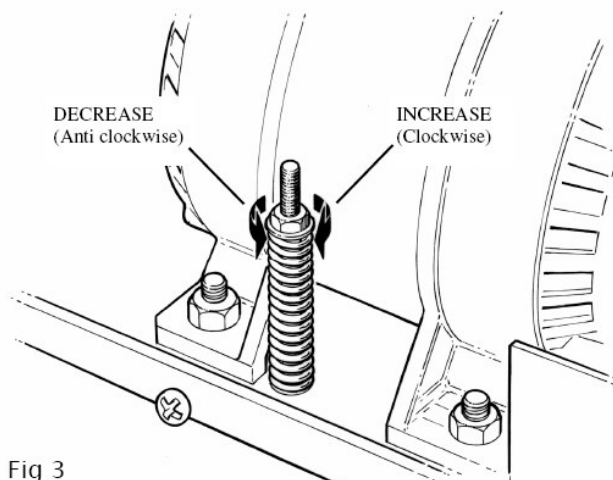
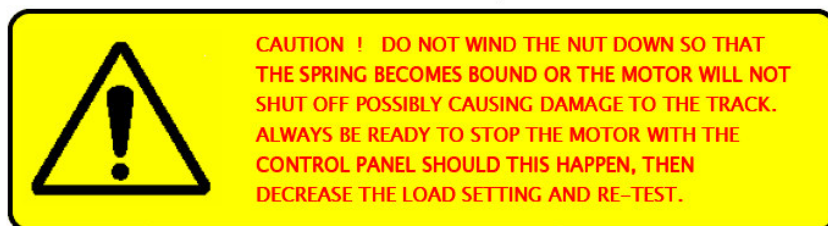


Fig 3
Automatic shut-off load setting

Fig 3 Automatic shut-off load adjustment.

The motor is supplied with a pre-set load of approximately 5Kgs which is suitable for most small installations, but depending on the track size and curtain weight, the bunching towards the end of travel may require the shutoff load to be adjusted so that the curtains open fully.

Should the load need to be increased, disconnect the mains lead, remove the cover and rotate the tension nut clockwise, do this at 2 turns per test until the motor shuts off when the curtains are fully open. Always ensure that the mains lead is disconnected when the cover is off. The load setting should always be set to the minimum load to give the desired shut off position.



GENERAL SPECIFICATIONS:

Unit type	P-201
Size	260x140x130mm
Weight	4Kgs
Nominal speed	28cms/sec
Load (Min/Max)	5– 30 Kgs
Power Supply	230 VAC 50Hz
Power consumption	5VA (Standby) 120VA (Full load. Intermittent rating)
Over-run timer	45 secs
Over-temp protection	Approximately 55 degrees C
End of travel shut-off	Automatic (Shut-off load adjustable)
Operating temperature	5-35 Degrees C
IP Rating	IP20

FOR DOMESTIC INDOOR USE ONLY, DO NOT EXPOSE TO HIGH TEMPERATURES OR MOISTURE.. THIS EQUIPMENT IS NOT WATERPROOF.

Please contact us if you have any problems with the installation or operation of the unit.

Powercord Engineering Ltd 01983-247990 67 Wyatts Lane, Cowes, Isle of Wight PO31-8QA



CONFORMANCE DECLARATION

This equipment is designed and manufactured in the UK to meet the requirements of::

(Low Voltage directive) 73/23/EEC EN60335-1

(EMC) 89/336/EEC EN-55013 (Emissions)
EN-55020/EN0082/1 (Immunity)

For domestic indoor use only to automatically open and close curtains using a continuously corded, wall mounted curtain track.

Andrew Neill (Director)

Jon Anderson (Director)



FOR YOUR SAFETY



- > THIS UNIT MUST BE EARTHED! ONLY USE WITH THE MAINS LEAD SUPPLIED. DO NOT USE A DAMAGED MAINS LEAD.
- > ALWAYS ENSURE THAT THE COVER IS CORRECTLY INSTALLED BEFORE APPLYING POWER.
- > DO NOT ATTEMPT TO SERVICE THIS UNIT YOURSELF OR CONNECT TO OTHER EQUIPMENT OTHER THAN SUPPLIED OR AUTHORISED BY POWERCORD ENGINEERING LTD.
- > DO NOT PUSH FINGERS OR FOREIGN OBJECTS INTO THE CORD APERTURE
- > DO NOT EXPOSE TO WATER OR HIGH TEMPERATURES, FOR INDOOR USE ONLY.
- > ONLY USE THIS UNIT FOR ITS INTENDED PURPOSE.
- > CONNECT TO THE SPECIFIED POWER SOURCE ONLY.
- > DO NOT CONNECT OTHER EQUIPMENT TO THE CONTROL PANEL CONNECTORS OTHER THAN THOSE SUPPLIED OR AUTHORISED BY POWERCORD ENGINEERING LTD.